

Through Hole Power Chokes - RCB1415U SERIES



PART NUMBERING SYSTEM

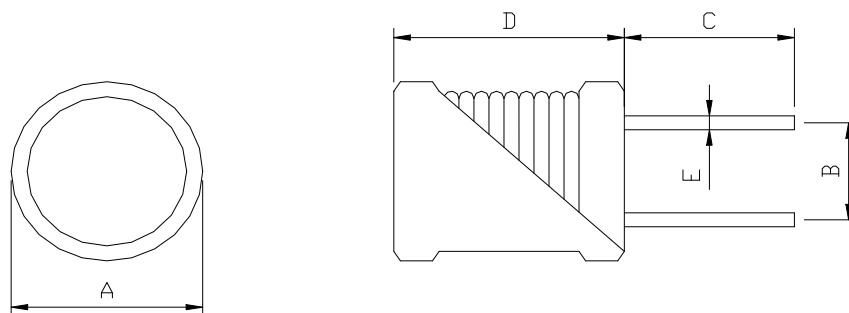
RCB	1415U	—	251K	—	LF
TYPE	DIMENSIONS		INDUCTANCE		LEAD FREE

U : UL Tube

P : PET Tube

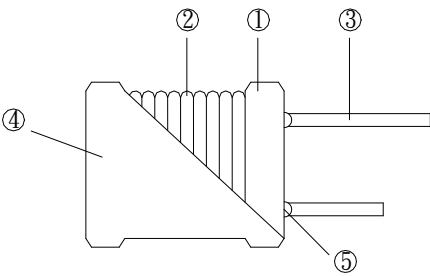
SHAPES AND DIMENSIONS

UNIT : mm



A= 16.0 Max. , B= 8.0±0.5 , C= 15.0±5.0 , D= 18.0 Max. , E= 1.0 Ref.

STRUCTURAL DIAGRAM :

	COMPONENT	MATERIALS
	1.Core	Ferrite core
	2.Wire	Polyurethane enameled copper wires
	3.Lead wire	Tinned copper wires
	4.Tube	Heat shrinkable tube, PVC or UL
	5.Glue	Epoxy resin

Through Hole Power Chokes - RCB1415U SERIES



SPECIFICATION TABLE

PART NUMBER	INDUCTANCE (μ H)	DCR ($m\Omega$) (max)	IDC (A) (max)	TEST FREQ. (Freq.)
RCB1415-100M-LF	10	30	4.0	1KHz
RCB1415-250K-LF	25	50	3.0	1KHz
RCB1415-500K-LF	50	76	2.0	1KHz
RCB1415-101K-LF	100	115	1.5	1KHz
RCB1415-251K-LF	250	220	1.0	1KHz
RCB1415-501K-LF	500	500	0.7	1KHz
RCB1415-102K-LF	1000	1000	0.5	1KHz

1. Inductors Tolerance : K = +/-10% ; M=+/-20%
2. Operating temperature range -40°C to +85°C
3. Electronical specifications at 25°C